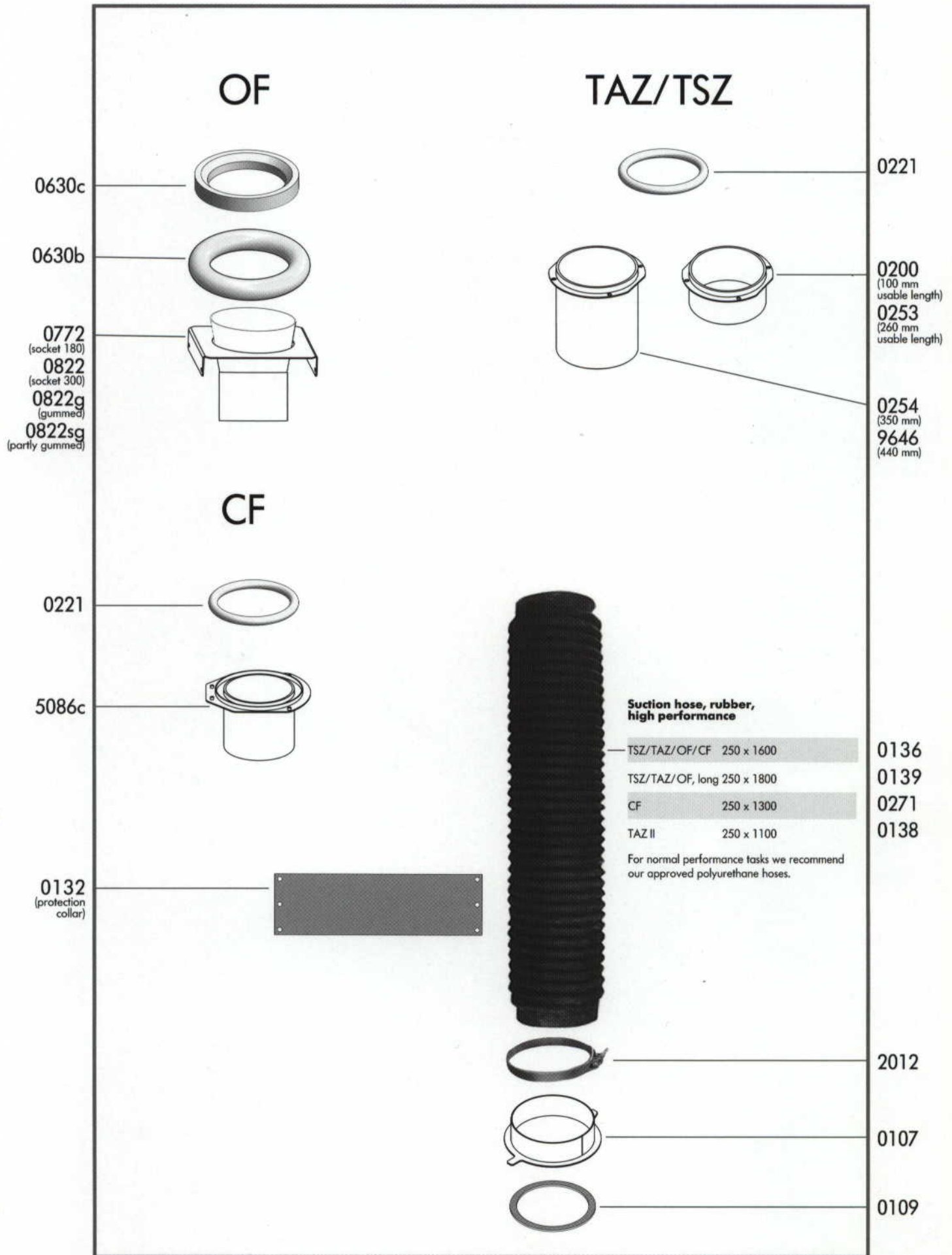
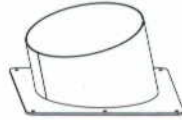


# Suction Hose Device



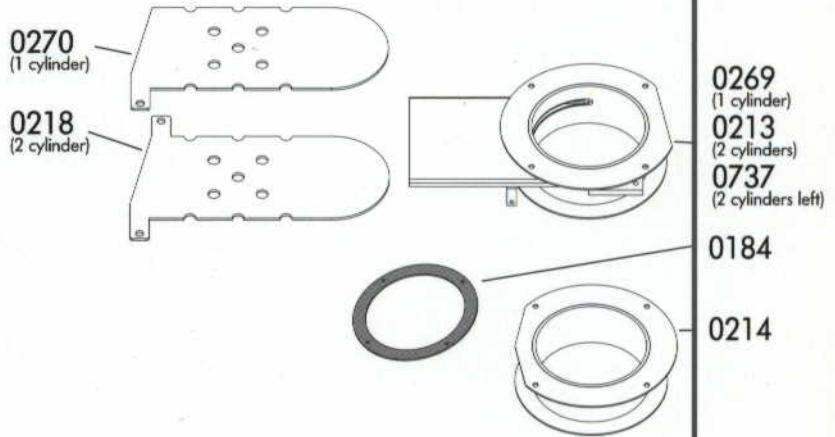
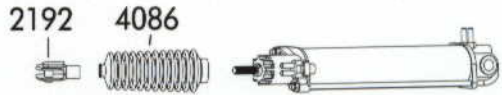
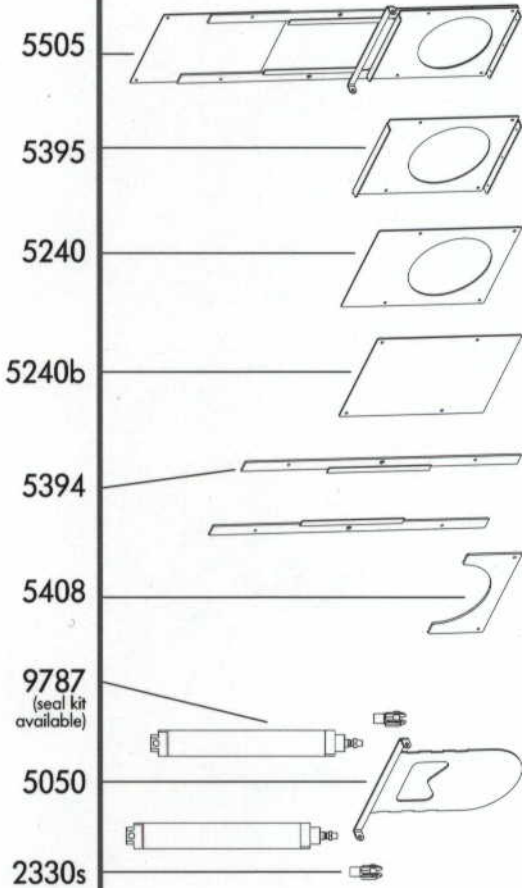
# Shutoff Device



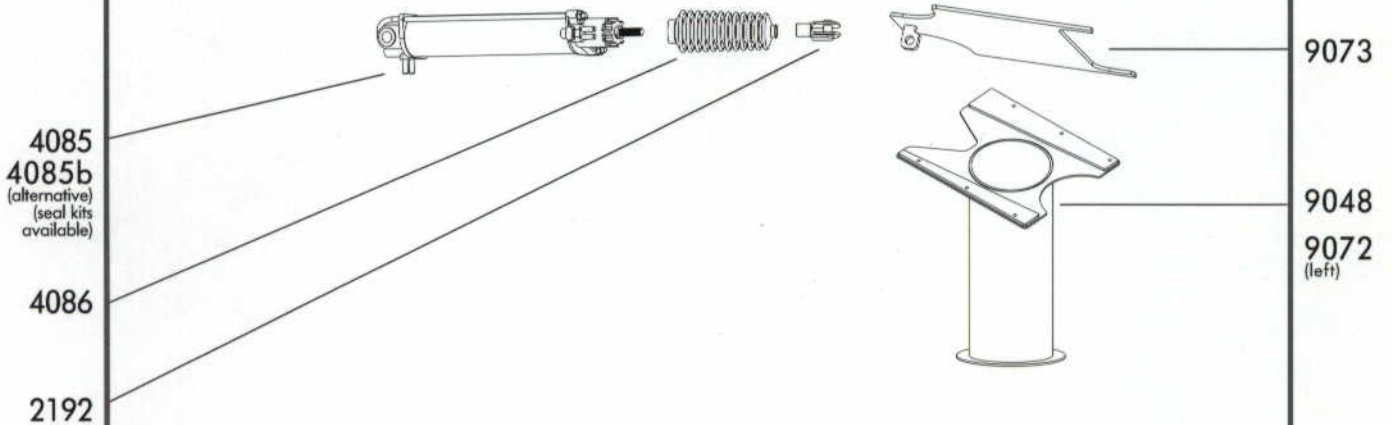
universal pipe socket right/left,  
please see page 17

## OF

## TAZ/TSZ



## CF



# Rear Suction Device

