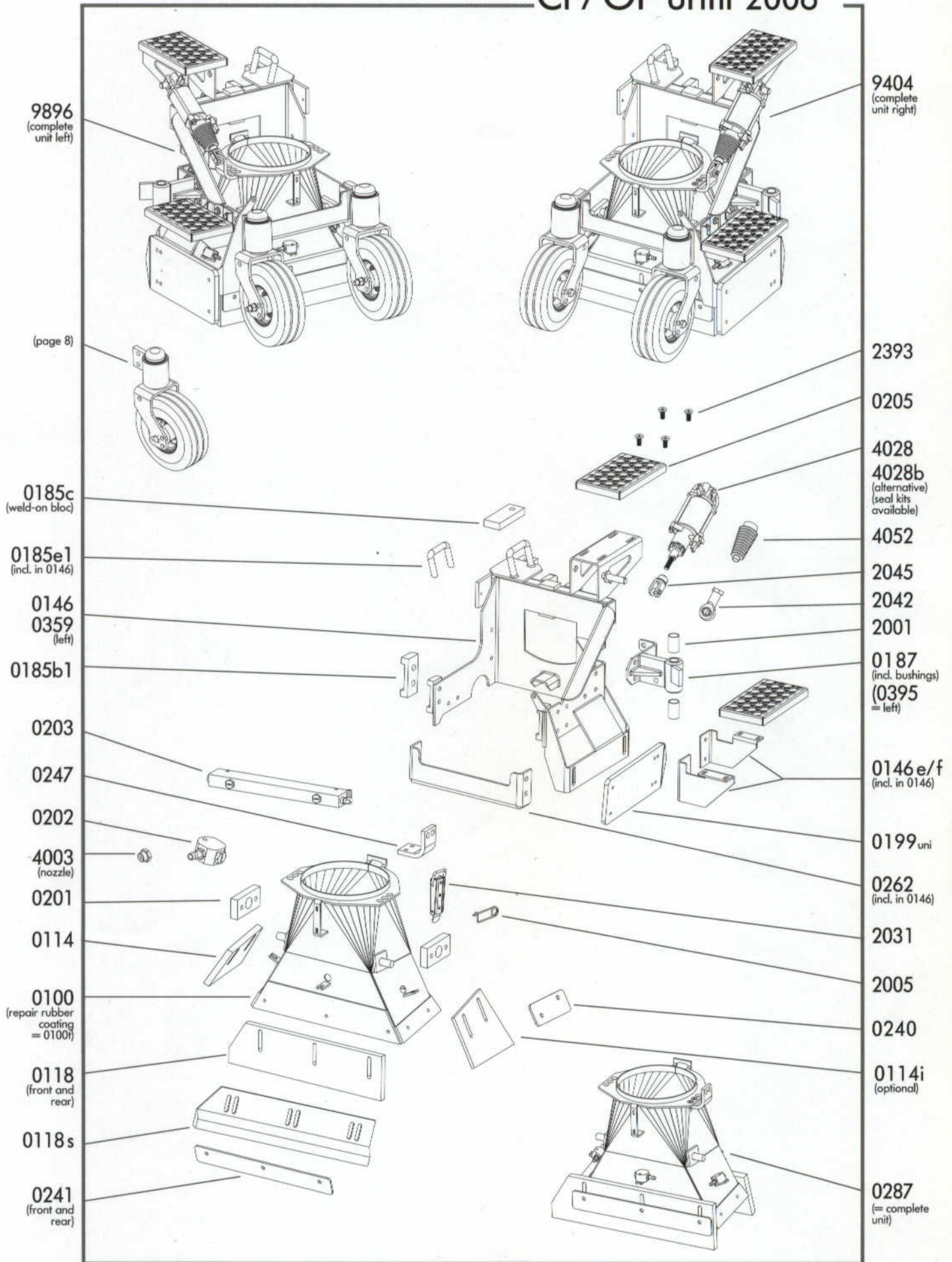


Suction Mouth Unit TAZ/TAZ II

CF/OF until 2006



9896
(complete
unit left)

9404
(complete
unit right)

(page 8)

0185c
(weld-on bloc)

0185e1
(incl. in 0146)

0146
0359
(left)

0185b1

0203

0247

0202

4003
(nozzle)

0201

0114

0100
(repair rubber
coating
= 0100f)

0118
(front and
rear)

0118s

0241
(front and
rear)

2393

0205

4028
4028b
(alternative)
(seal kits
available)

4052

2045

2042

2001

0187
(incl. bushings)
(0395
= left)

0146e/f
(incl. in 0146)

0199uni

0262
(incl. in 0146)

2031

2005

0240

0114i
(optional)

0287
(= complete
unit)

Suction Mouth Unit CF/OF since 2007

9404b
(complete unit)
9896b
(left)

1146j

1146k

1146
(complete)

(page 8)

1146c

5438
(incl. in 1146)

0247

2031

0202

4003
(nozzle)

0240

0114b

0118su

0241

1287
(complete unit)

2393

0205

5441

0201

4028
(seal kit
= 4061)

4028b
(alternative)

4052

2045

1146h

2001

0187
(0395 = left)

2393

0205

1146e

1146g
(1146gl = left)

0199uni

0199n
(reversion kit)

0241

0118b

0240

0114b

1100
(repair rubber
coating = 1100t)

5528

9636

2460

9421
(9421ks = left)

0118kb

0241

Suction Mouth Unit TSZ

9336b
(complete unit
left)

9336
(complete unit
right)

0185e1

0185c
(weld-on bloc)

0185b1

0276

4031
4031b
(alternative)
(seal kits
available)

4052

2045

2115

0284

0123

0285

0211
complete

0204

4003
(nozzle)

0202

0185
0816
left

2005

2031

2036

0101
(repair
rubber coating
= 0101t)

0104

0212

0281

0281s

2393

0205

2001

0199 uni

(page 8)

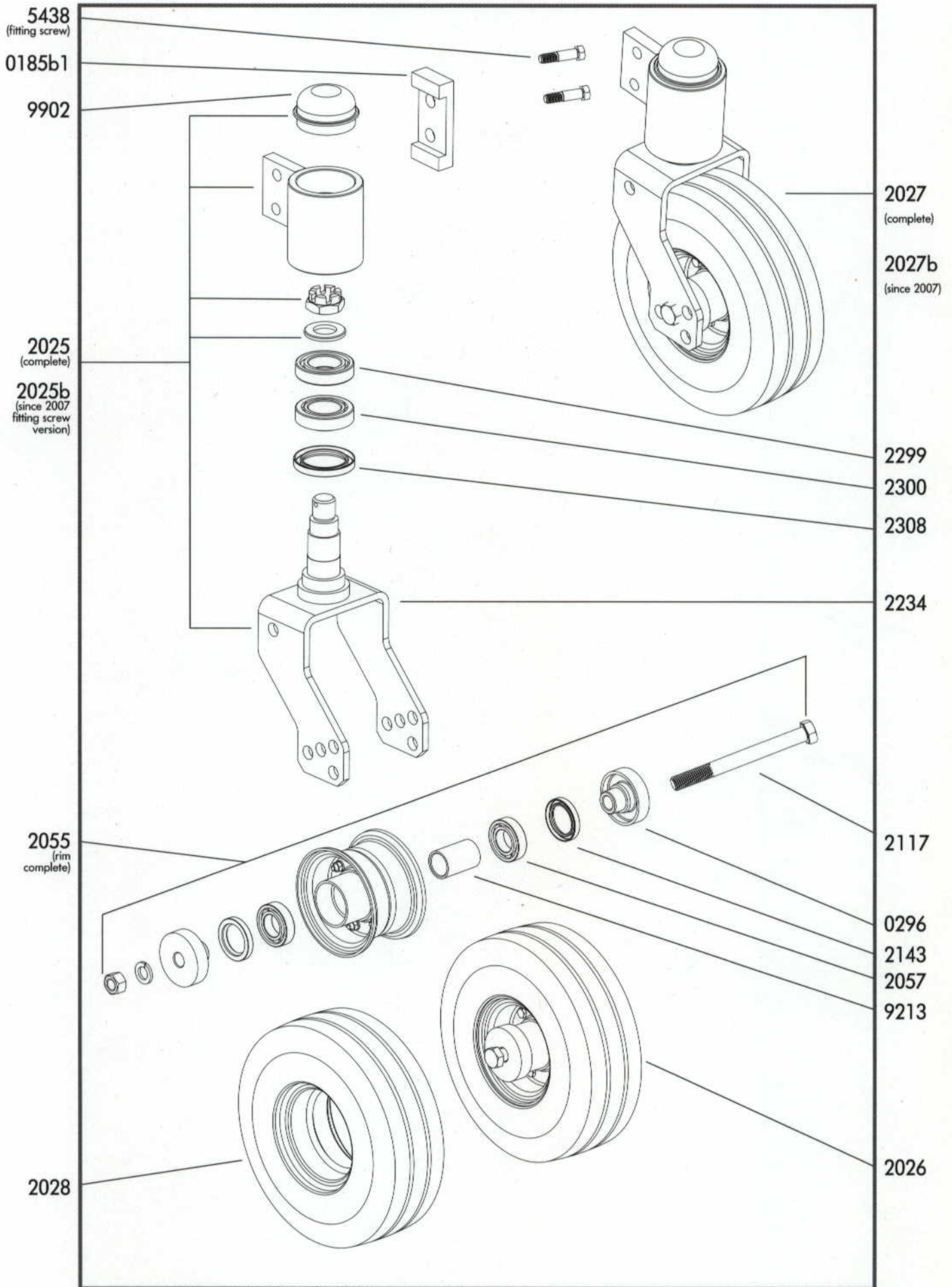
0266

2051

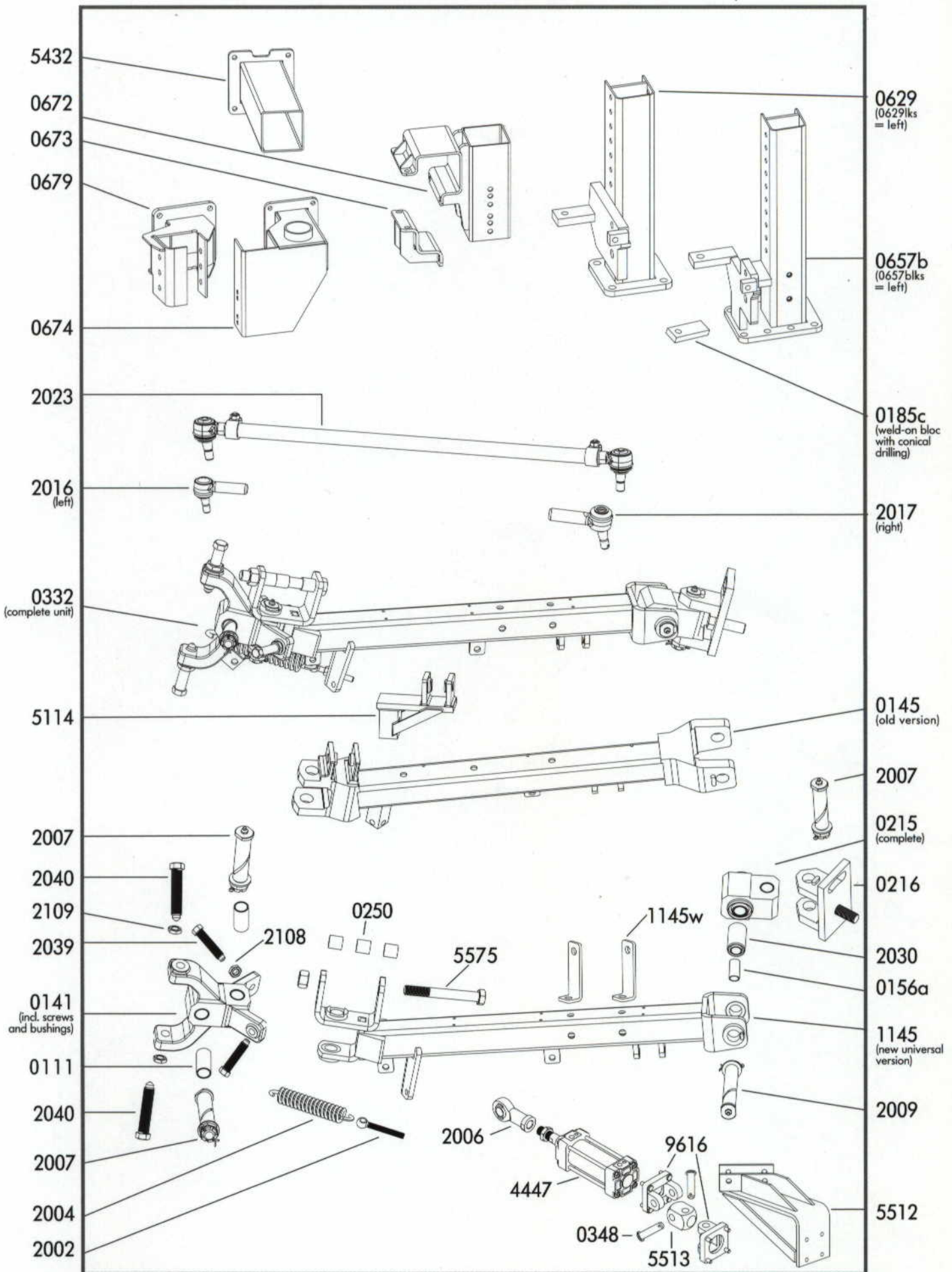
2053

0278
(complete unit)

Castor Wheels



Guide Arm Suction Device



Lifting Cylinder + Locking Unit Suction Device

